



Introducing a New Humidifier Tub to the Air10™ and Lumis™ for ANZ

Bulletin Number: PB#1183
Month/Year: April 2024
Distribution: ANZ
Date of implementation: March 2024
Release version: 1.0



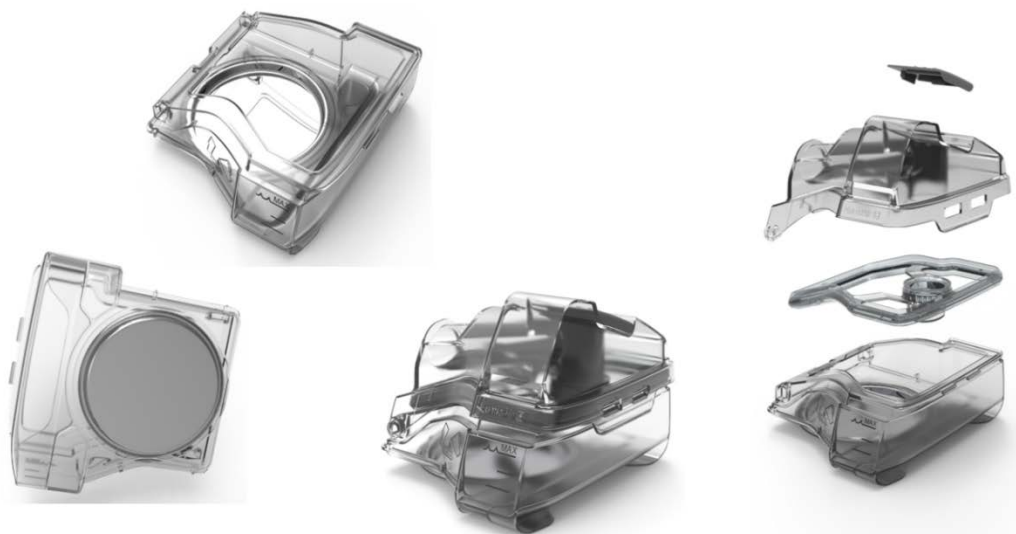
Introducing the latest improvement to the HumidAir™ Standard tub for the Air10™ and Lumis™ series of ResMed devices. Designed for single patient multi use, the new tub has a more efficient design and will be available as a spare part.

The new design has been introduced in ANZ from March 2024 for the spare product code. The spare part product code remains the same and the lot number breakpoint for the new design is below.

Spare Part Product Code Affected

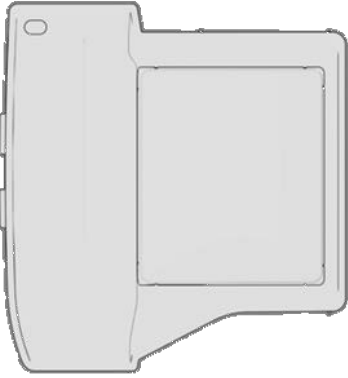
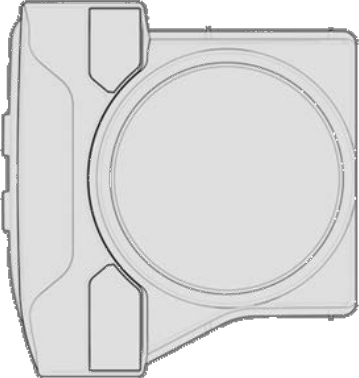
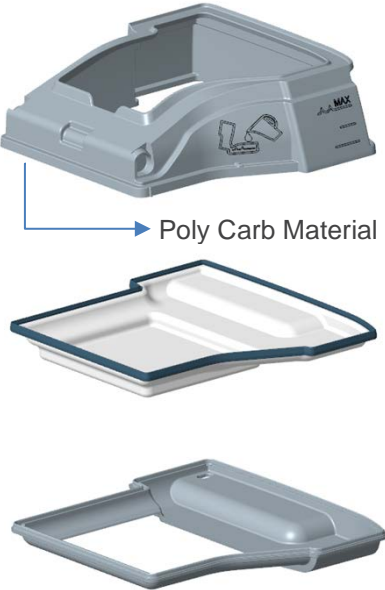
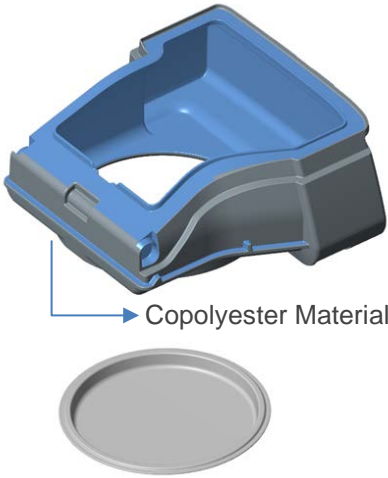
Device Platform	Product Code	Lot Number Breakpoint
AirSense 10, AirCurve 10 and Lumis	37299	1735924



Product Render of the Design of the New HumidAir™ Standard Tub



Introducing a New Humidifier Tub to the Air10™ and Lumis™ for ANZ

The table below shows the differences between the old and new design of the HumidAir™ Standard Tub.

	Previous Design	New Design
Base (As seen from the bottom)	 <p>Square</p>	 <p>Round</p>
Lower Assembly Design - Less components - Different material	 <p>Poly Carb Material</p>	 <p>Copolyester Material</p>

	Previous HumidAir Standard Tub	New HumidAir Standard Tub
Photo Comparison HumidAir tub + Device (bottom view)		

When inserted into a device, the new HumidAir™ Standard tub will have part of its metal plate showing (as seen in picture above). This is part of the intended design. Ridges along the side of the HumidAir™ tubs are designed to guide the user's hands for safe removal. The exposed metal plate is regulated to below touch temperature limits as specified by compliance standards and will not pose new safety issues to the user.

In the event of a fault, the heater plate will cut out once the temperature reaches 74°C (165°F).

For further information, please contact your nearest ResMed office. See [ResMed.com](https://www.resmed.com) for details.

© 2024 ResMed Pty Ltd. 1041059